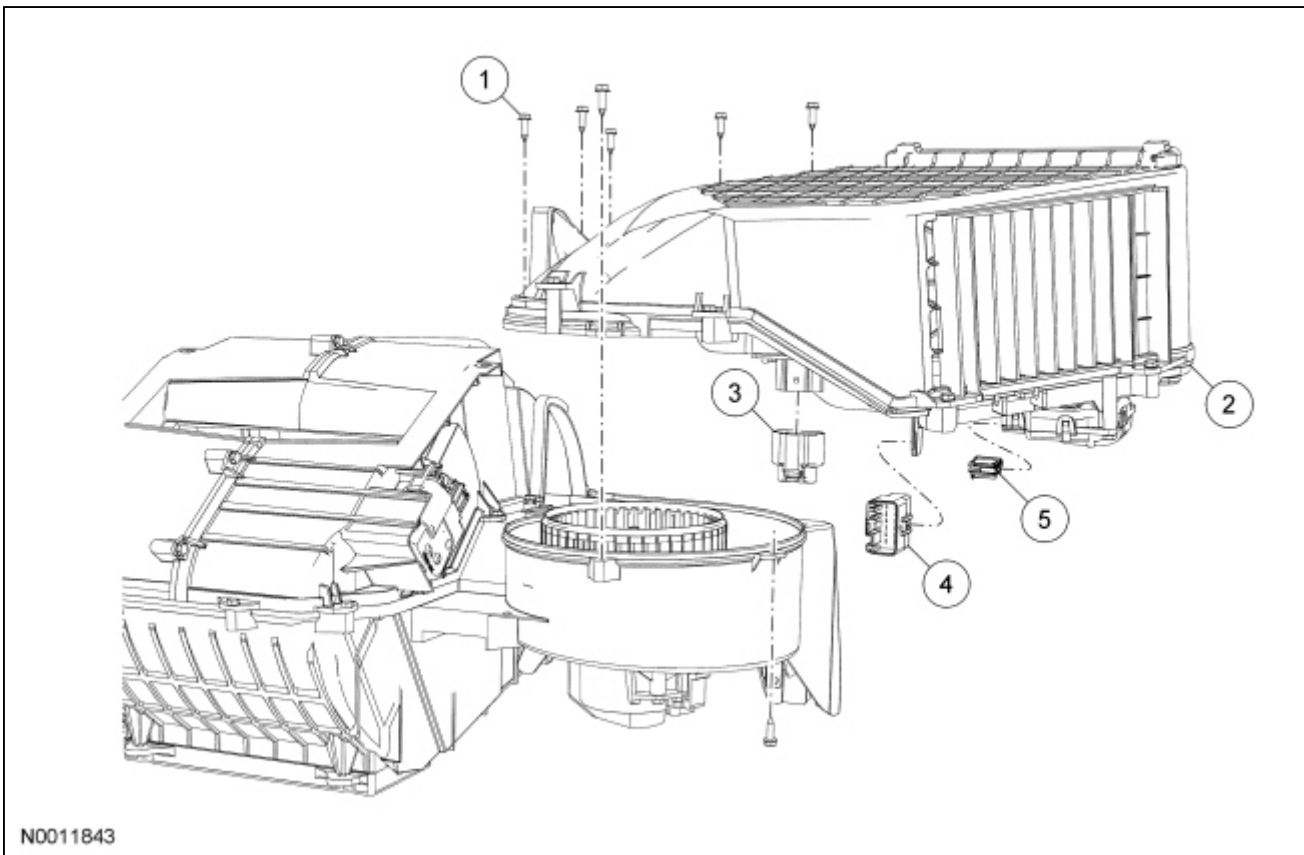


Air Inlet Duct



Item	Part Number	Description
1	W701696	Air inlet duct screw (7 required)
2	19A648	Air inlet duct
3	—	Blower motor resistor electrical connector (part of 18B574)
4	—	Heater core and evaporator core housing harness electrical connector (part of 18B574)
5	—	Air inlet mode door actuator electrical connector (part of 18B574)

Removal and Installation

1. Remove the heater core and evaporator core housing. For additional information, refer to [Heater Core And Evaporator Core Housing](#) in this section.
2. Disconnect the blower motor resistor electrical connector.
3. Disconnect the air inlet mode door actuator electrical connector.
4. Detach the heater core and evaporator core housing harness electrical connector from the bracket.
5. Remove the 7 air inlet duct screws.
6. Remove the air inlet duct.

7. To install, reverse the removal procedure.
